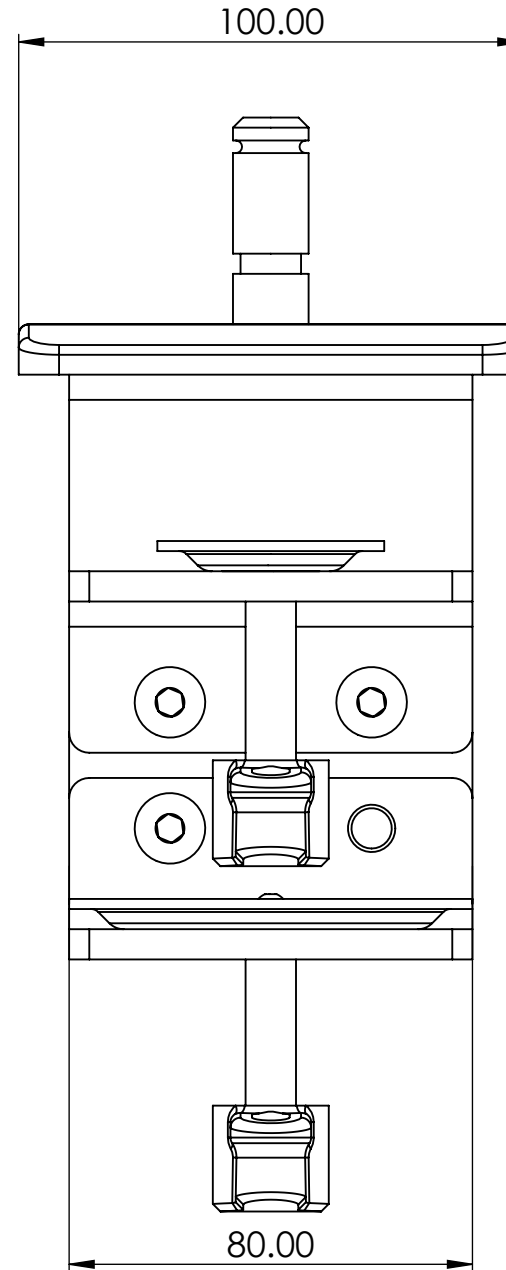
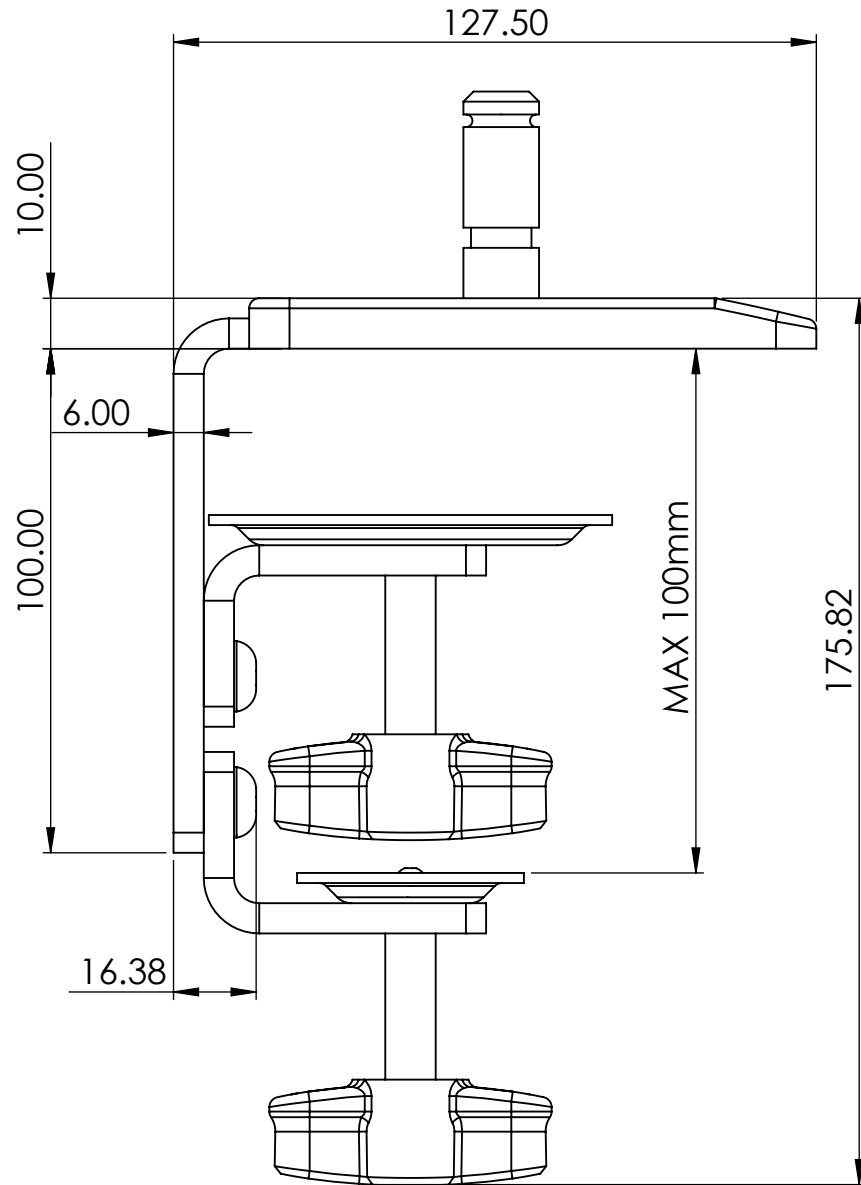


F-CLAMP ASSEMBLY SPECIFICATION

VEIDA



NOTE:
MAX DESK THICKNESS : 100 mm

BOTTOM CLAMP CAN BE FITTED TO FOUR
DIFFERENT POSITION TO COVER THE FULL RANGE
OF DESK THICKNESS.
(01-07-2022)